

# RESIDENTIAL & COMMERCIAL

## Pricing List Booklet



**DRAINS**  
UNLIMITED



Effective September 1st, 2022

Copyright© 2022 by Drains Unlimited Right Reserved



# TABLE OF CONTENTS

## SHOWER DRAINS

DUW Series: Wall Recessed Drain - Model Selection	4
DUW Series: Wall Recessed Drain - Pricing Listing	5
DUFB Series: Linear Floor Drain - Model Selection	6
DUFB Series: Linear Floor Drain - Pricing Listing	7
DUFR Series: Linear Floor Drain - Model Selection	12
DUFR Series: Linear Floor Drain - Pricing Listing	13
DUFT Series: Corner Drain - Model Selection	19
DUFT Series: Corner Drain - Pricing Listing	20

## SHOWER TRAY / PANS

PNMD1: Pre-sloped Shower tray for 12" Wall Drain	21
PNDUWR: Integrated Wall Drain & S.S. Shower Pan	22
PNDUFR: Integrated Linear Drain & S.S. Shower Pan	24

## EXTERIOR DRAINS

DUXT Series: Exterior Trench Drain - Model Selection	26
DUXS Series: Exterior Slot Drain - Model Selection	27

## **PAYMENT TERMS:**

For accounts with established credit, payment terms are payable 30 days from the date of invoice, net 30 days. Invoices still unpaid after 31 days from the date of invoice will be subject to interest charges of 1-1/2% per month. A confirmed irrevocable letter of credit or cash in advance of shipment is required for accounts without an established line of credit. Custom or modified material item(s) are considered Special Orders and are subject to Full payment for orders \$10,000 or less; and 50% non-refundable deposit for orders \$10,001 or more, paid to Drains Unlimited Inc. If orders exceed Drains Unlimited Inc's normal stock levels, they will be treated as a Special Order, requiring a 50% non-refundable deposit. Any terms and conditions appearing on your orders which are inconsistent with our quotation and conditions of sale shall be of no effect.

## **MINIMUM INVOICE:**

\$50.00 net

## **FREIGHT ALLOWANCE:**

All shipments are F.O.B. Drains Unlimited, Inc's warehouse. Title passes onto the freight carrier upon pickup from Drains Unlimited, Inc's facility, except deliveries that are made via Drains Unlimited, Inc's vehicles. Drains Unlimited, Inc is not responsible for freight costs. Drains Unlimited, Inc will use common carrier service unless otherwise specified by the Buyer. No allowance is given for breakage or loss in transit. All claims shall be directed by the Buyer to the freight carrier. The Buyer must clearly document and record the damage at the time of delivery.

## **RETURN POLICY:**

Standard catalog material may be returned only upon written authorization of Seller. Credit will be issued to the Buyer's account toward purchase of additional material only.

Material not in original condition, obsolete, discontinued or specially produced items such as trench drains will not be accepted for return or credit.

When return results from causes involving Buyer's responsibility, credit for goods in original condition will be issued at invoice price less 15% restocking charge for handling and inspection. Returns of less than \$100.00 net price will not be allowed. On all returns, incoming and outgoing freight charges to and from Drains Unlimited, Inc. will be deducted from any credit allowed. If material is returned and not in original condition and credit is denied, freight back to the buyer will be the responsibility of the buyer.

## **LIMITED WARRANTY:**

Our products are warranted to be free of defects in material and workmanship for a period of one year from date of shipment, but our liability shall be limited solely to those defects, which our inspection finds to be due to our fault. Notification of a claim for defective material or workmanship must be given in writing to Drains Unlimited, Inc. WE SHALL NOT BE RESPONSIBLE FOR ANY LABOR CHARGES OR ANY LOSS, INJURY OR DAMAGES WHATSOEVER, INCLUDING INCIDENTAL OR CONSEQUENTIAL DAMAGES. The sole and exclusive remedy shall be limited to the replacement or repair of the defective goods at the Seller's discretion. Before installation and use, Buyer shall determine the suitability of the product for his intended use and the Buyer assumes all risk and liability whatever in connection therewith. Notification of a claim for material shortage or incorrect material must be given in writing to Drains Unlimited, Inc. within 15 days of shipment.

## **CANCELLATION:**

Orders are not subject to cancellation after 48 hours of purchase without our written consent. If an order is canceled, the Buyer shall pay all costs incurred in connection with filling the order. Any items not cataloged, specially made, or not normally stocked by us and made or purchased to fill the order become the Buyer's property and must be paid for by the Buyer.

## **ILLUSTRATIONS, DESCRIPTIONS AND DIMENSIONS:**

All illustrations, descriptions, and detailed dimensions represent standard features and do not necessarily indicate all variations available. All weights stated in our catalogs, literature, and drawings are approximate and are not guaranteed. All designs, descriptions, and dimensions are subject to change without notice, and unless Buyer specifically states otherwise on order, standard products in effect at the time order is shipped will be supplied.

## **RISKS:**

Our responsibility ceases after the product has been delivered to the carrier in good order. It is the responsibility of the consignee to inspect each shipment carefully and file a claim with the carrier for any damage or shortage. Content shortages must be reported within 15 days after receipt of material.

## **DELIVERY:**

Shipping dates are estimates and time of delivery is not the essence of this sale or the contract thereof. We will ship as near schedule as possible. Under no circumstances will the Seller have any responsibility on account of any delays in the manufacture, transportation, or otherwise. Material is subject to shipment in whole or in part, at our option, and each shipment is subject to immediate invoicing.

## **TAXES:**

Any sales or manufacturer's tax imposed under existing or future statutes shall be added to the price herewith and shall be paid by the Buyer unless proper exemption certificates are filed with Drains Unlimited Inc.

## **INDUSTRY APPLICATION**

- ~ Residential
- ~ Hospitality
- ~ Healthcare
- ~ Assisted Living/ Senior Living
- ~ Commercial Pharmaceutical
- ~ Retail
- ~ Sports and Fitness

## **SPECIFICATION**

- ~ Stainless Steel AISI304 or 316L
- ~ IAPMO Listed
- ~ ASME A 112.18.2 (selected items)
- ~ CSA B 125.2 (selected items)

# DUW SERIES MODEL SELECTION



## DUW- (FLANGELESS)

Universal for most applications, especially ideal for curb and curbless installation



## DUWR - (SIDE-WALL FLANGE)

Ideal for wall to wall installation

\_\_\_\_\_ - \_\_\_\_\_ - \_\_\_\_\_ - BSS \* \_\_\_\_\_ (DUW-T-35-BSS)

## RECESSED WALL LINEAR DRAIN

DUW Series is a one of a kind wall recess linear drain, that is a two-piece low profile floor drain system specifically designed for a nearly invisible floor drain that is an easy installation and bonded waterproofing membrane. DUW Linear Drain is designed to accommodate large, small format tiles or stone installations in a shower with a single plane slope to the drain. The DUW linear drain is designed for commercial or residential projects and is intended for interior applications.


### ADVANTAGES

- Single slope to drain
- Allows for the use of any size tile format tile
- Tile-In grate available to match surrounding tile
- Made from heavy duty 304 austenitic stainless steel provides for long-lasting performance and corrosion resistance

### SUITABLE SUBSTRATES

- Concrete
- Exterior Glue Plywood (Interior Only)
- Cement Backer Board
- Cement Mortar Bed
- Pre-slope Foam Shower Pans

\*Full Length measured between finish face of wall boards\*

MODEL:	BODY STYLE:	LENGTH:	FINISH:
<input type="checkbox"/> <b>DUW</b>	<input type="checkbox"/> <b>T</b> - Floor TILE (1/8" TO 3/8") thk.	<input type="checkbox"/> <b>12</b> - 12" (30.48 CM)	<input checked="" type="checkbox"/>  <b>BSS</b> - Brushed Stainless Steel
<input type="checkbox"/> <b>DUWR</b>	<input type="checkbox"/> <b>S</b> - Floor SLAB (1/2" to 3/4") thk.	<input type="checkbox"/> <b>29</b> - 29" (73.66 CM)	
<b>SPECIAL ORDER</b>		<input type="checkbox"/> <b>31</b> - 31" (79.74 CM)	
<input type="checkbox"/> <b>DUWCRV</b> (Custom Radius Wall Recessed Linear Drain up to 360 degree wall Curvature)		<input type="checkbox"/> <b>33</b> - 33" (83.82 CM)	<b>* CUSTOM OPTION:</b>
		<input type="checkbox"/> <b>35</b> - 35" (88.90 CM)	<input type="checkbox"/> <b>*SOR__</b> - Single (R)ight Offset Out let from outside edge of the channel.
		<input type="checkbox"/> <b>39</b> - 39" (99.06 CM)	<input type="checkbox"/> <b>*SOL__</b> - Single (L)eft Offset Out let from outside edge of the channel.
		<input type="checkbox"/> <b>41</b> - 41" (104.14 CM)	<input type="checkbox"/> <b>*DOR__L__</b> - Dual Offset Offset Out let from (R)ight edge and (L)eft edge of the channel.
		<input type="checkbox"/> <b>43</b> - 43" (109.22 CM)	<input type="checkbox"/> <b>*HZS__</b> - Horizontal side outlet (R)-Right or (L)-Left
		<input type="checkbox"/> <b>47</b> - 47" (119.38 CM)	<input type="checkbox"/> <b>*HZB</b> - Horizontal back outlet
		<input type="checkbox"/> <b>53</b> - 53" (134.62 CM)	<input type="checkbox"/> <b>* 316</b> - AISI316L Stainless Steel
		<input type="checkbox"/> <b>59</b> - 59" (149.86 CM)	
		<input type="checkbox"/> <b>65</b> - 65" (165.10 CM)	
		<input type="checkbox"/> <b>71</b> - 71" (180.34 CM)	
		<input type="checkbox"/> Custom Length (_____")	

**Note:** 12" Drain body option is only available in the DUW - Flangless models.

Data Sheets are subject to change without notice. For latest revision please contact Drains Unlimited, Inc.

ASME: A 112.18.2  
 CSA: B 125.2  
 PATENTED DESIGN  
 US Patent Number 10,550,563  
 D894.344  
 10,697,168  
 Canada Patent 187863.  
 EUIPO 006316741-0001



# DUW SERIES PRICING LIST

- ~ The pricing list shown below excludes installation, delivery, and any federal, state or local tax. Such charges may apply at the time as sale.
- ~ Custom size and shapes are price at an addition of 20% of the MSRP.

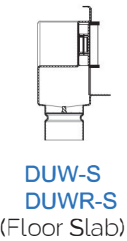
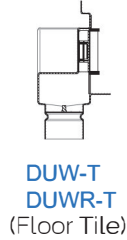
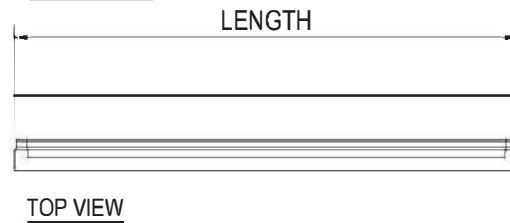
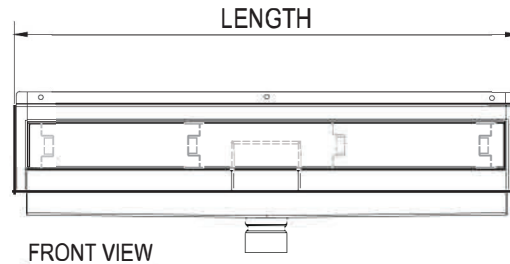


DUW- (FLANGLESS)



DUWR - (WALL FLANGE)

## DUW- WALL RECESSED LINEAR FLOOR DRAIN



### DUW-T : FOR FLANGELESS TILE APPLICATION

MODEL:	LENGTH:	MSRP:
DUW-T-12-BSS	12" (30.48 CM)	\$515.00
DUW-T-29-BSS	29" (73.66 CM)	\$943.00
DUW-T-31-BSS	31" (79.74 CM)	\$998.00
DUW-T-33-BSS	33" (83.82 CM)	\$1,067.00
DUW-T-35-BSS	35" (88.90 CM)	\$1,115.00
DUW-T-39-BSS	39" (99.06 CM)	\$1,226.00
DUW-T-41-BSS	41" (104.14 CM)	\$1,276.00
DUW-T-43-BSS	43" (109.22 CM)	\$1,328.00
DUW-T-47-BSS	47" (119.38 CM)	\$1,422.00
DUW-T-53-BSS	53" (134.62 CM)	\$1,599.00
DUW-T-59-BSS	59" (149.86 CM)	\$1,776.00
DUW-T-65-BSS	65" (165.10 CM)	\$1,901.00
DUW-T-71-BSS	71" (180.34 CM)	\$2,069.00

### DUW-S : FOR FLANGELESS STONE APPLICATION

MODEL:	LENGTH:	MSRP:
DUW-S-12-BSS	12" (30.48 CM)	\$515.00
DUW-S-29-BSS	29" (73.66 CM)	\$943.00
DUW-S-31-BSS	31" (79.74 CM)	\$998.00
DUW-S-33-BSS	33" (83.82 CM)	\$1,067.00
DUW-S-35-BSS	35" (88.90 CM)	\$1,115.00
DUW-S-39-BSS	39" (99.06 CM)	\$1,226.00
DUW-S-41-BSS	41" (104.14 CM)	\$1,276.00
DUW-S-43-BSS	43" (109.22 CM)	\$1,328.00
DUW-S-47-BSS	47" (119.38 CM)	\$1,422.00
DUW-S-53-BSS	53" (134.62 CM)	\$1,599.00
DUW-S-59-BSS	59" (149.86 CM)	\$1,776.00
DUW-S-65-BSS	65" (165.10 CM)	\$1,901.00
DUW-S-71-BSS	71" (180.34 CM)	\$2,069.00

### DUWR-T : FOR FLANGED TILE APPLICATION

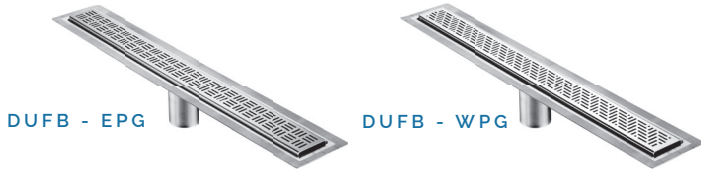
MODEL:	LENGTH:	MSRP:
DUWR-T-29-BSS	29" (73.66 CM)	\$943.00
DUWR-T-31-BSS	31" (79.74 CM)	\$998.00
DUWR-T-33-BSS	33" (83.82 CM)	\$1,067.00
DUWR-T-35-BSS	35" (88.90 CM)	\$1,115.00
DUWR-T-39-BSS	39" (99.06 CM)	\$1,226.00
DUWR-T-41-BSS	41" (104.14 CM)	\$1,276.00
DUWR-T-43-BSS	43" (109.22 CM)	\$1,328.00
DUWR-T-47-BSS	47" (119.38 CM)	\$1,422.00
DUWR-T-53-BSS	53" (134.62 CM)	\$1,599.00
DUWR-T-59-BSS	59" (149.86 CM)	\$1,776.00
DUWR-T-65-BSS	65" (165.10 CM)	\$1,901.00
DUWR-T-71-BSS	71" (180.34 CM)	\$2,069.00

### DUWR-S : FOR FLANGED STONE APPLICATION

MODEL:	LENGTH:	MSRP:
DUWR-S-29-BSS	29" (73.66 CM)	\$943.00
DUWR-S-31-BSS	31" (79.74 CM)	\$998.00
DUWR-S-33-BSS	33" (83.82 CM)	\$1,067.00
DUWR-S-35-BSS	35" (88.90 CM)	\$1,115.00
DUWR-S-39-BSS	39" (99.06 CM)	\$1,226.00
DUWR-S-41-BSS	41" (104.14 CM)	\$1,276.00
DUWR-S-43-BSS	43" (109.22 CM)	\$1,328.00
DUWR-S-47-BSS	47" (119.38 CM)	\$1,422.00
DUWR-S-53-BSS	53" (134.62 CM)	\$1,599.00
DUWR-S-59-BSS	59" (149.86 CM)	\$1,776.00
DUWR-S-65-BSS	65" (165.10 CM)	\$1,901.00
DUWR-S-71-BSS	71" (180.34 CM)	\$2,069.00

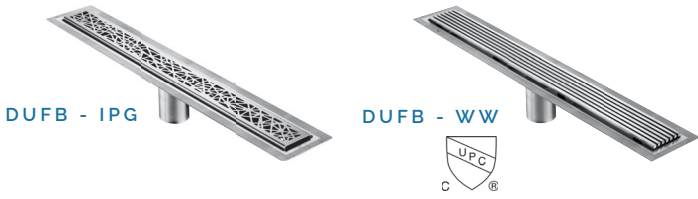
*\*Limited stock and custom order items; please contact for availability and lead times\**  
 Prices quoted in this pricing list are subject to change without notice

# DUFB SERIES - MODEL SELECTION



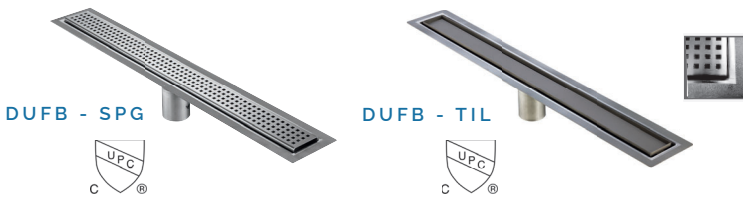
DUFB - EPG

DUFB - WPG



DUFB - IPG

DUFB - WW



DUFB - SPG

DUFB - TIL

## LINEAR FLOOR DRAIN

DUFB Series linear drain is a two-piece low profile linear floor drain system specifically designed for easy installation and bonded waterproofing membrane. DUFB Linear Drain is designed to accommodate large, small format tiles or slab installations in a shower with a single plane slope to the drain. The DUFB linear drain is designed for commercial or residential projects and is intended for interior and exterior applications.

## ADVANTAGES

- Single slope to drain.
- Allows for the use of any size tile format tile.
- Tile in grate available to match floor tile.
- Made from heavy duty 304 stainless steel provides for long-lasting performance.
- Textured flange ensures tie waterproof membrane seal to drain body.

## SUITABLE SUBSTRATES

- Concrete
- Exterior Glue Plywood (Interior Only)
- Cement Backer Board
- Cement Mortar Bed
- Pre-slope Foam Shower Pans

Model DUFB-\_\_\_\_-\_\_\_\_-\_\_\_\_ eg.(DUFB-SPG-59-BSS)

\*Full length measured between finish face of wallboard\*

MODEL:	GRATE STYLE:	LENGTH:	FINISH:
<input checked="" type="checkbox"/> <b>DUFB</b>	<input type="checkbox"/> <b>EPG</b> - Earth Perforated <input type="checkbox"/> <b>IPG</b> - Ice Perforated <input type="checkbox"/> <b>WPG</b> - Weave Perforated <input type="checkbox"/> <b>SPG</b> - Square Perforated <input type="checkbox"/> <b>TIL</b> - Pietra Style (Tile in Tray) <input type="checkbox"/> <b>WW</b> - Wedgewire <input type="checkbox"/> <b>CM</b> - Custom Perforated ( _____ )	<input type="checkbox"/> <b>29</b> - 29" (74 CM) <input type="checkbox"/> <b>31</b> - 31" (79 CM) <input type="checkbox"/> <b>33</b> - 33" (84 CM) <input type="checkbox"/> <b>35</b> - 35" (89 CM) <input type="checkbox"/> <b>39</b> - 39" (99 CM) <input type="checkbox"/> <b>41</b> - 41" (104 CM) <input type="checkbox"/> <b>43</b> - 43" (109 CM) <input type="checkbox"/> <b>47</b> - 47" (119 CM) <input type="checkbox"/> <b>53</b> - 53" (135 CM) <input type="checkbox"/> <b>59</b> - 59" (150 CM) <input type="checkbox"/> <b>65</b> - 65" (165 CM) <input type="checkbox"/> <b>71</b> - 71" (180 CM) <input type="checkbox"/> Custom Length ( _____ )	<input type="checkbox"/> <b>PSS</b> - Polished Stainless Steel (All except TIL) <input type="checkbox"/> <b>BSS</b> - Brushed Stainless Steel (All) <input type="checkbox"/> <b>BP</b> - Black Powder Coated (SPG & WW Only) <input type="checkbox"/> <b>BRM</b> - Brass Matte (WW Only) <b>* CUSTOM OPTION:</b> <input type="checkbox"/> <b>*SOR__</b> - Single (R)ight Offset Out let from outside edge of the channel. <input type="checkbox"/> <b>*SOL__</b> - Single (L)eft Offset Out let from outside edge of the channel. <input type="checkbox"/> <b>*DOR__"L__"</b> - Dual Offset Offset Out let from (R)ight edge and (L)eft edge of the channel. <input type="checkbox"/> <b>*316</b> - AISI316L Stainless Steel

ASME: A 112.18.2  
CSA: B 125.2

Data Sheets are subject to change without notice.  
For latest revision please contact Drains Unlimited, Inc.

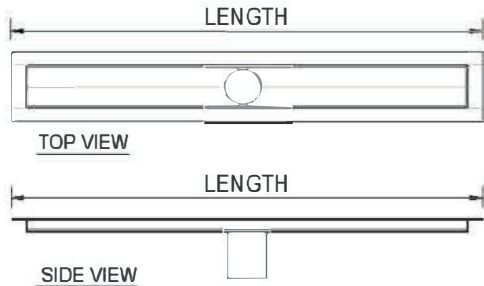


# DUFB SERIES: PRICING LIST

## WEDGEWIRE' - STYLE GRATE



### DUFB-WW



- ~ The pricing list below excludes installation, delivery, and any federal, state, or local tax. Such charges may apply at the time of a sale.
- ~ Drains are available in AISI316L stainless steel and are priced at an additional 20% of the MSRP.
- ~ Custom or Modified items are priced at an additional 20% of the MSRP.
- \*\* *These grate styles are limited or non-stock items and are subject to market conditions; Contact your local sales rep for inventory availability and current lead times.*

### DUFB-WW: Polished Stainless Steel Finish

Model:	Length:	MSRP:
DUFB-WW-29-PSS	29"	\$ 859.00
DUFB-WW-31-PSS	31"	\$ 895.00
DUFB-WW-33-PSS	33"	\$ 930.00
DUFB-WW-35-PSS	35"	\$ 965.00
DUFB-WW-39-PSS	39"	\$ 1,037.00
DUFB-WW-41-PSS	41"	\$ 1,074.00
DUFB-WW-43-PSS	43"	\$ 1,148.00
DUFB-WW-47-PSS	47"	\$ 1,214.00
DUFB-WW-53-PSS	53"	\$ 1,318.00
DUFB-WW-59-PSS	59"	\$ 1,406.00
DUFB-WW-65-PSS	65"	\$ 1,559.00
DUFB-WW-71-PSS	71"	\$ 1,670.00

### DUFB-WW: Brushed Stainless Steel Finish

Model:	Length:	MSRP:
DUFB-WW-29-BSS	29"	\$ 764.00
DUFB-WW-31-BSS	31"	\$ 797.00
DUFB-WW-33-BSS	33"	\$ 827.00
DUFB-WW-35-BSS	35"	\$ 859.00
DUFB-WW-39-BSS	39"	\$ 922.00
DUFB-WW-41-BSS	41"	\$ 954.00
DUFB-WW-43-BSS	43"	\$ 1,026.00
DUFB-WW-47-BSS	47"	\$ 1,076.00
DUFB-WW-53-BSS	53"	\$ 1,175.00
DUFB-WW-59-BSS	59"	\$ 1,253.00
DUFB-WW-65-BSS	65"	\$ 1,396.00
DUFB-WW-71-BSS	71"	\$ 1,512.00

### \*\*DUFB-WW: Black Powdercoated Finish

Model:	Length:	MSRP:
DUFB-WW-29-BP	29"	\$ 792.00
DUFB-WW-31-BP	31"	\$ 824.00
DUFB-WW-33-BP	33"	\$ 855.00
DUFB-WW-35-BP	35"	\$ 887.00
DUFB-WW-39-BP	39"	\$ 950.00
DUFB-WW-41-BP	41"	\$ 983.00
DUFB-WW-43-BP	43"	\$ 1,057.00
DUFB-WW-47-BP	47"	\$ 1,107.00
DUFB-WW-53-BP	53"	\$ 1,207.00
DUFB-WW-59-BP	59"	\$ 1,285.00
DUFB-WW-65-BP	65"	\$ 1,374.00
DUFB-WW-71-BP	71"	\$ 1,487.00



### \*\*DUFB-WW: Brass Matte Finish

Model:	Length:	MSRP:
DUFB-WW-29-BRM	29"	\$ 801.00
DUFB-WW-31-BRM	31"	\$ 857.00
DUFB-WW-33-BRM	33"	\$ 814.00
DUFB-WW-35-BRM	35"	\$ 918.00
DUFB-WW-39-BRM	39"	\$ 984.00
DUFB-WW-41-BRM	41"	\$ 1,020.00
DUFB-WW-43-BRM	43"	\$ 1,103.00
DUFB-WW-47-BRM	47"	\$ 1,152.00
DUFB-WW-53-BRM	53"	\$ 1,234.00
DUFB-WW-59-BRM	59"	\$ 1,355.00
DUFB-WW-65-BRM	65"	\$ 1,451.00
DUFB-WW-71-BRM	71"	\$ 1,572.00



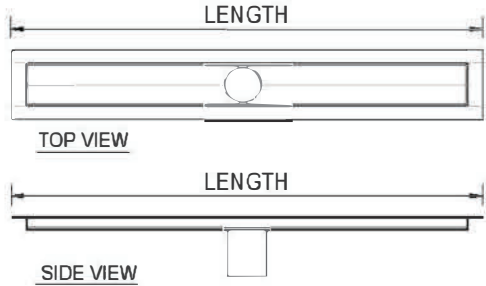
*\*Limited stock and custom order items; please contact for availability and lead times\*  
Prices quoted in this pricing list are subject to change without notice*

# DUFB SERIES: PRICING LIST

## SQUARE' - PERFORATED GRATE



### DUFB-SPG



- ~ The pricing list below excludes installation, delivery, and any federal, state, or local tax. Such charges may apply at the time of a sale.
- ~ Drains are available in AISI316L stainless steel and are priced at an additional 20% of the MSRP.
- ~ Custom or Modified items are priced at an additional 20% of the MSRP.
- \*\* *These grate styles are limited or non-stock items and are subject to market conditions; Contact your local sales rep for inventory availability and current lead times.*

### DUFB-SPG: Polished Stainless Steel Finish

Model:	Length:	MSRP:
DUFB-SPG-29-PSS	29"	\$ 758.00
DUFB-SPG-31-PSS	31"	\$ 794.00
DUFB-SPG-33-PSS	33"	\$ 825.00
DUFB-SPG-35-PSS	35"	\$ 860.00
DUFB-SPG-39-PSS	39"	\$ 933.00
DUFB-SPG-41-PSS	41"	\$ 971.00
DUFB-SPG-43-PSS	43"	\$ 1,026.00
DUFB-SPG-47-PSS	47"	\$ 1,082.00
DUFB-SPG-53-PSS	53"	\$ 1,198.00
DUFB-SPG-59-PSS	59"	\$ 1,308.00
DUFB-SPG-65-PSS	65"	\$ 1,415.00
DUFB-SPG-71-PSS	71"	\$ 1,530.00

### DUFB-SPG: Brushed Stainless Steel Finish

Model:	Length:	MSRP:
DUFB-SPG-29-BSS	29"	\$ 685.00
DUFB-SPG-31-BSS	31"	\$ 721.00
DUFB-SPG-33-BSS	33"	\$ 754.00
DUFB-SPG-35-BSS	35"	\$ 790.00
DUFB-SPG-39-BSS	39"	\$ 858.00
DUFB-SPG-41-BSS	41"	\$ 892.00
DUFB-SPG-43-BSS	43"	\$ 944.00
DUFB-SPG-47-BSS	47"	\$ 996.00
DUFB-SPG-53-BSS	53"	\$ 1,104.00
DUFB-SPG-59-BSS	59"	\$ 1,205.00
DUFB-SPG-65-BSS	65"	\$ 1,305.00
DUFB-SPG-71-BSS	71"	\$ 1,413.00

### \*\*DUFB-SPG: Black Powdercoated Finish

Model:	Length:	MSRP:
DUFB-SPG-29-BP	29"	\$ 742.00
DUFB-SPG-31-BP	31"	\$ 776.00
DUFB-SPG-33-BP	33"	\$ 832.00
DUFB-SPG-35-BP	35"	\$ 843.00
DUFB-SPG-39-BP	39"	\$ 911.00
DUFB-SPG-41-BP	41"	\$ 949.00
DUFB-SPG-43-BP	43"	\$ 1,002.00
DUFB-SPG-47-BP	47"	\$ 1,057.00
DUFB-SPG-53-BP	53"	\$ 1,168.00
DUFB-SPG-59-BP	59"	\$ 1,236.00
DUFB-SPG-65-BP	65"	\$ 1,377.00
DUFB-SPG-71-BP	71"	\$ 1,487.00



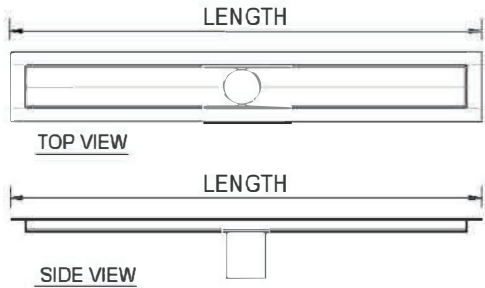
*\*Limited stock and custom order items; please contact for availability and lead times\*  
Prices quoted in this pricing list are subject to change without notice*

# DUFB SERIES: PRICING LIST

## EARTH' - PERFORATED GRATE



### DUFB-EPG



- ~ The pricing list below excludes installation, delivery, and any federal, state, or local tax. Such charges may apply at the time of a sale.
- ~ Drains are available in AISI316L stainless steel and are priced at an additional 20% of the MSRP.
- ~ Custom or Modified items are priced at an additional 20% of the MSRP.
- \*\* *These grate styles are limited or non-stock items and are subject to market conditions; Contact your local sales rep for inventory availability and current lead times.*

#### \*\*DUFB-EPG: Polished Stainless Steel Finish

Model:	Length:	MSRP:
DUFB-EPG-29-PSS	29"	\$ 800.00
DUFB-EPG-31-PSS	31"	\$ 835.00
DUFB-EPG-33-PSS	33"	\$ 864.00
DUFB-EPG-35-PSS	35"	\$ 899.00
DUFB-EPG-39-PSS	39"	\$ 970.00
DUFB-EPG-41-PSS	41"	\$ 1,007.00
DUFB-EPG-43-PSS	43"	\$ 1,068.00
DUFB-EPG-47-PSS	47"	\$ 1,123.00
DUFB-EPG-53-PSS	53"	\$ 1,237.00
DUFB-EPG-59-PSS	59"	\$ 1,346.00
DUFB-EPG-65-PSS	65"	\$ 1,452.00
DUFB-EPG-71-PSS	71"	\$ 1,566.00



#### \*\*DUFB-EPG: Brushed Stainless Steel Finish

Model:	Length:	MSRP:
DUFB-EPG-29-BSS	29"	\$ 730.00
DUFB-EPG-31-BSS	31"	\$ 765.00
DUFB-EPG-33-BSS	33"	\$ 796.00
DUFB-EPG-35-BSS	35"	\$ 831.00
DUFB-EPG-39-BSS	39"	\$ 897.00
DUFB-EPG-41-BSS	41"	\$ 930.00
DUFB-EPG-43-BSS	43"	\$ 989.00
DUFB-EPG-47-BSS	47"	\$ 1,039.00
DUFB-EPG-53-BSS	53"	\$ 1,145.00
DUFB-EPG-59-BSS	59"	\$ 1,245.00
DUFB-EPG-65-BSS	65"	\$ 1,343.00
DUFB-EPG-71-BSS	71"	\$ 1,450.00



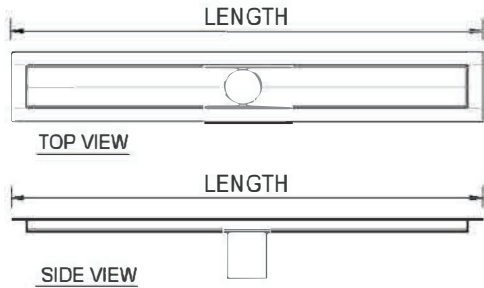
*\*Limited stock and custom order items; please contact for availability and lead times\**  
*Prices quoted in this pricing list are subject to change without notice*

# DUFB SERIES: PRICING LIST

## WEAVE' - PERFORATED GRATE



### DUFB-WPG



- ~ The pricing list below excludes installation, delivery, and any federal, state, or local tax. Such charges may apply at the time of a sale.
- ~ Drains are available in AISI316L stainless steel and are priced at an additional 20% of the MSRP.
- ~ Custom or Modified items are priced at an additional 20% of the MSRP.
- \*\* *These grate styles are limited or non-stock items and are subject to market conditions; Contact your local sales rep for inventory availability and current lead times.*

### \*\*DUFB-WPG: Polished Stainless Steel Finish

Model:	Length:	MSRP:
DUFB-WPG-29-PSS	29"	\$ 800.00
DUFB-WPG-31-PSS	31"	\$ 835.00
DUFB-WPG-33-PSS	33"	\$ 864.00
DUFB-WPG-35-PSS	35"	\$ 899.00
DUFB-WPG-39-PSS	39"	\$ 970.00
DUFB-WPG-41-PSS	41"	\$ 1,007.00
DUFB-WPG-43-PSS	43"	\$ 1,068.00
DUFB-WPG-47-PSS	47"	\$ 1,123.00
DUFB-WPG-53-PSS	53"	\$ 1,237.00
DUFB-WPG-59-PSS	59"	\$ 1,346.00
DUFB-WPG-65-PSS	65"	\$ 1,452.00
DUFB-WPG-71-PSS	71"	\$ 1,566.00



### \*\*DUFB-WPG: Brushed Stainless Steel Finish

Model:	Length:	MSRP:
DUFB-WPG-29-BSS	29"	\$ 730.00
DUFB-WPG-31-BSS	31"	\$ 765.00
DUFB-WPG-33-BSS	33"	\$ 796.00
DUFB-WPG-35-BSS	35"	\$ 831.00
DUFB-WPG-39-BSS	39"	\$ 897.00
DUFB-WPG-41-BSS	41"	\$ 930.00
DUFB-WPG-43-BSS	43"	\$ 989.00
DUFB-WPG-47-BSS	47"	\$ 1,039.00
DUFB-WPG-53-BSS	53"	\$ 1,145.00
DUFB-WPG-59-BSS	59"	\$ 1,245.00
DUFB-WPG-65-BSS	65"	\$ 1,343.00
DUFB-WPG-71-BSS	71"	\$ 1,450.00



## TILE-IN' - TRAY GRATE



### DUFB-TIL

### DUFB-TIL: Brushed Stainless Steel Finish

Model:	Length:	MSRP:
DUFB-TIL-29-BSS	29"	\$ 612.00
DUFB-TIL-31-BSS	31"	\$ 640.00
DUFB-TIL-33-BSS	33"	\$ 681.00
DUFB-TIL-35-BSS	35"	\$ 697.00
DUFB-TIL-39-BSS	39"	\$ 758.00
DUFB-TIL-41-BSS	41"	\$ 799.00
DUFB-TIL-43-BSS	43"	\$ 842.00
DUFB-TIL-47-BSS	47"	\$ 888.00
DUFB-TIL-53-BSS	53"	\$ 988.00
DUFB-TIL-59-BSS	59"	\$ 1,082.00
DUFB-TIL-65-BSS	65"	\$ 1,175.00
DUFB-TIL-71-BSS	71"	\$ 1,275.00

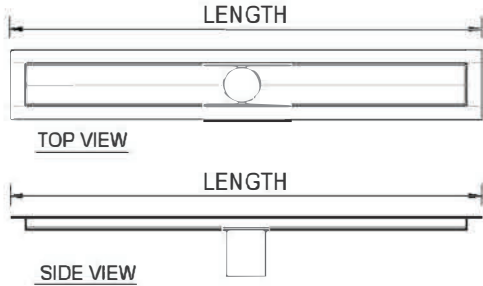
*\*Limited stock and custom order items; please contact for availability and lead times\**  
*Prices quoted in this pricing list are subject to change without notice*

# DUFB SERIES: PRICING LIST

## ICE' - PERFORATED GRATE



### DUFB-IPG



- ~ The pricing list below excludes installation, delivery, and any federal, state, or local tax. Such charges may apply at the time of a sale.
- ~ Drains are available in AISI316L stainless steel and are priced at an additional 20% of the MSRP.
- ~ Custom or Modified items are priced at an additional 20% of the MSRP.
- \*\* *These grate styles are limited or non-stock items and are subject to market conditions; Contact your local sales rep for inventory availability and current lead times.*

### \*\*DUFB-IPG: Polished Stainless Steel Finish

Model:	Length:	MSRP:
DUFB-IPG-29-PSS	29"	\$ 800.00
DUFB-IPG-31-PSS	31"	\$ 835.00
DUFB-IPG-33-PSS	33"	\$ 864.00
DUFB-IPG-35-PSS	35"	\$ 899.00
DUFB-IPG-39-PSS	39"	\$ 970.00
DUFB-IPG-41-PSS	41"	\$ 1,007.00
DUFB-IPG-43-PSS	43"	\$ 1,068.00
DUFB-IPG-47-PSS	47"	\$ 1,123.00
DUFB-IPG-53-PSS	53"	\$ 1,237.00
DUFB-IPG-59-PSS	59"	\$ 1,346.00
DUFB-IPG-65-PSS	65"	\$ 1,452.00
DUFB-IPG-71-PSS	71"	\$ 1,566.00



### \*\*DUFB-IPG: Brushed Stainless Steel Finish

Model:	Length:	MSRP:
DUFB-IPG-29-BSS	29"	\$ 730.00
DUFB-IPG-31-BSS	31"	\$ 765.00
DUFB-IPG-33-BSS	33"	\$ 796.00
DUFB-IPG-35-BSS	35"	\$ 831.00
DUFB-IPG-39-BSS	39"	\$ 897.00
DUFB-IPG-41-BSS	41"	\$ 930.00
DUFB-IPG-43-BSS	43"	\$ 989.00
DUFB-IPG-47-BSS	47"	\$ 1,039.00
DUFB-IPG-53-BSS	53"	\$ 1,145.00
DUFB-IPG-59-BSS	59"	\$ 1,245.00
DUFB-IPG-65-BSS	65"	\$ 1,343.00
DUFB-IPG-71-BSS	71"	\$ 1,450.00

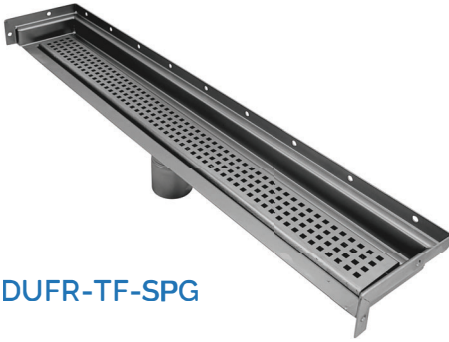


*\*Limited stock and custom order items; please contact for availability and lead times\**  
*Prices quoted in this pricing list are subject to change without notice*

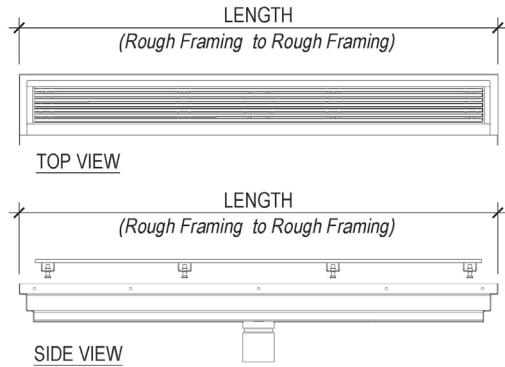


## DUFR-TF SERIES: PRICING LIST

### SQUARE' - PERFORATED GRATE



### DUFR-TF-SPG



- ~ The pricing list below excludes installation, delivery, and any federal, state, or local tax. Such charges may apply at the time of a sale.
- ~ Drains are available in AISI316L stainless steel and are priced at an additional 20% of the MSRP.
- ~ Custom or Modified items are priced at an additional 20% of the MSRP.
- \*\* *These grate styles are limited or non-stock items and are subject to market conditions; Contact your local sales rep for inventory availability and current lead times.*

### DUFR-TF-SPG: POLISHED STAINLESS STEEL

Model:	Length:	MSRP:
DUFR-TF-SPG-30-PSS	30"	\$1,088.00
DUFR-TF-SPG-32-PSS	32"	\$1,116.00
DUFR-TF-SPG-34-PSS	34"	\$1,147.00
DUFR-TF-SPG-36-PSS	36"	\$1,175.00
DUFR-TF-SPG-40-PSS	40"	\$1,238.00
DUFR-TF-SPG-42-PSS	42"	\$1,274.00
DUFR-TF-SPG-44-PSS	44"	\$1,305.00
DUFR-TF-SPG-48-PSS	48"	\$1,366.00
DUFR-TF-SPG-54-PSS	54"	\$1,460.00
DUFR-TF-SPG-60-PSS	60"	\$1,576.00
DUFR-TF-SPG-66-PSS	66"	\$1,687.00
DUFR-TF-SPG-72-PSS	72"	\$1,774.00

### \*\*DUFR-TF-SPG: BLACK POWDER COATED

Model:	Length:	MSRP:
DUFR-TF-SPG-30-BP	30"	\$1,071.00
DUFR-TF-SPG-32-BP	32"	\$1,098.00
DUFR-TF-SPG-34-BP	34"	\$1,154.00
DUFR-TF-SPG-36-BP	36"	\$1,188.00
DUFR-TF-SPG-40-BP	40"	\$1,215.00
DUFR-TF-SPG-42-BP	42"	\$1,252.00
DUFR-TF-SPG-44-BP	44"	\$1,281.00
DUFR-TF-SPG-48-BP	48"	\$1,341.00
DUFR-TF-SPG-54-BP	54"	\$1,430.00
DUFR-TF-SPG-60-BP	60"	\$1,503.00
DUFR-TF-SPG-66-BP	66"	\$1,648.00
DUFR-TF-SPG-72-BP	72"	\$1,731.00



### DUFR-TF-SPG: BRUSHED STAINLESS STEEL

Model:	Length:	MSRP:
DUFR-TF-SPG-30-BSS	30"	\$1,012.00
DUFR-TF-SPG-32-BSS	32"	\$1,041.00
DUFR-TF-SPG-34-BSS	34"	\$1,074.00
DUFR-TF-SPG-36-BSS	36"	\$1,103.00
DUFR-TF-SPG-40-BSS	40"	\$1,160.00
DUFR-TF-SPG-42-BSS	42"	\$1,193.00
DUFR-TF-SPG-44-BSS	44"	\$1,222.00
DUFR-TF-SPG-48-BSS	48"	\$1,279.00
DUFR-TF-SPG-54-BSS	54"	\$1,364.00
DUFR-TF-SPG-60-BSS	60"	\$1,472.00
DUFR-TF-SPG-66-BSS	66"	\$1,574.00
DUFR-TF-SPG-72-BSS	72"	\$1,655.00

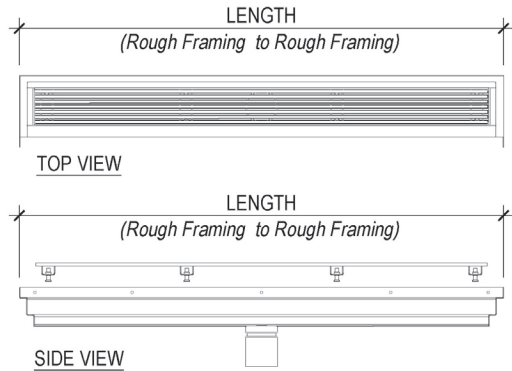
***\*Limited stock and custom order items; please contact for availability and lead times\****  
*Prices quoted in this pricing list are subject to change without notice*

## DUFR-TF SERIES: PRICING LIST

### WEDGEWIRE' - STYLE GRATE



### DUFR-TF-WW



- ~ The pricing list below excludes installation, delivery, and any federal, state, or local tax. Such charges may apply at the time of a sale.
- ~ Drains are available in AISI316L stainless steel and are priced at an additional 20% of the MSRP.
- ~ Custom or Modified items are priced at an additional 20% of the MSRP.
- \*\* *These grate styles are limited or non-stock items and are subject to market conditions; Contact your local sales rep for inventory availability and current lead times.*

### DUFR-TF-WW: POLISHED STAINLESS STEEL

Model:	Length:	MSRP:
DUFR-TF-WW-30-PSS	30"	\$1,192.00
DUFR-TF-WW-32-PSS	32"	\$1,220.00
DUFR-TF-WW-34-PSS	34"	\$1,255.00
DUFR-TF-WW-36-PSS	36"	\$1,283.00
DUFR-TF-WW-40-PSS	40"	\$1,344.00
DUFR-TF-WW-42-PSS	42"	\$1,380.00
DUFR-TF-WW-44-PSS	44"	\$1,431.00
DUFR-TF-WW-48-PSS	48"	\$1,501.00
DUFR-TF-WW-54-PSS	54"	\$1,582.00
DUFR-TF-WW-60-PSS	60"	\$1,676.00
DUFR-TF-WW-66-PSS	66"	\$1,832.00
DUFR-TF-WW-72-PSS	72"	\$1,916.00

### \*\*DUFR-TF-WW: BLACK POWDER COATED

Model:	Length:	MSRP:
DUFR-TF-WW-30-BP	30"	\$1,122.00
DUFR-TF-WW-32-BP	32"	\$1,147.00
DUFR-TF-WW-34-BP	34"	\$1,178.00
DUFR-TF-WW-36-BP	36"	\$1,202.00
DUFR-TF-WW-40-BP	40"	\$1,255.00
DUFR-TF-WW-42-BP	42"	\$1,287.00
DUFR-TF-WW-44-BP	44"	\$1,337.00
DUFR-TF-WW-48-BP	48"	\$1,392.00
DUFR-TF-WW-54-BP	54"	\$1,469.00
DUFR-TF-WW-60-BP	60"	\$1,553.00
DUFR-TF-WW-66-BP	66"	\$1,645.00
DUFR-TF-WW-72-BP	72"	\$1,730.00



### DUFR-TF-WW: BRUSHED STAINLESS STEEL

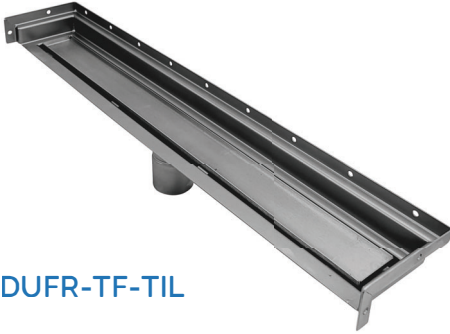
Model:	Length:	MSRP:
DUFR-TF-WW-30-BSS	30"	\$1,094.00
DUFR-TF-WW-32-BSS	32"	\$1,119.00
DUFR-TF-WW-34-BSS	34"	\$1,149.00
DUFR-TF-WW-36-BSS	36"	\$1,174.00
DUFR-TF-WW-40-BSS	40"	\$1,226.00
DUFR-TF-WW-42-BSS	42"	\$1,257.00
DUFR-TF-WW-44-BSS	44"	\$1,306.00
DUFR-TF-WW-48-BSS	48"	\$1,360.00
DUFR-TF-WW-54-BSS	54"	\$1,436.00
DUFR-TF-WW-60-BSS	60"	\$1,520.00
DUFR-TF-WW-66-BSS	66"	\$1,667.00
DUFR-TF-WW-72-BSS	72"	\$1,756.00

*\*Limited stock and custom order items; please contact for availability and lead times\**  
*Prices quoted in this pricing list are subject to change without notice*

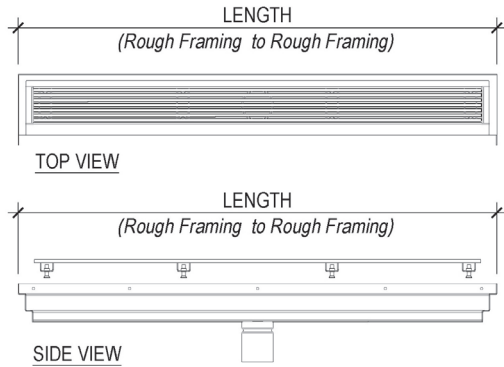


## DUFR-TF SERIES: PRICING LIST

### TILE-IN' - TRAY GRATE



### DUFR-TF-TIL



- ~ The pricing list below excludes installation, delivery, and any federal, state, or local tax. Such charges may apply at the time of a sale.
- ~ Drains are available in AISI316L stainless steel and are priced at an additional 20% of the MSRP.
- ~ Custom or Modified items are priced at an additional 20% of the MSRP.

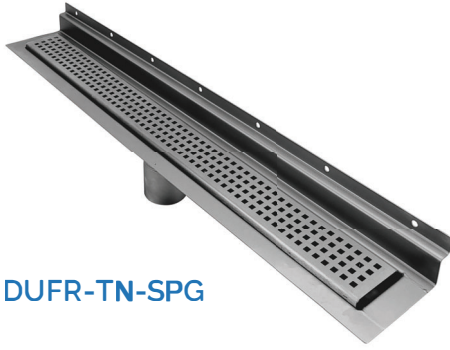
### DUFR-TF-TIL: BRUSHED STAINLESS STEEL

Model:	Length:	MSRP:
DUFR-TF-TIL-30-BSS	30"	\$936.00
DUFR-TF-TIL-32-BSS	32"	\$957.00
DUFR-TF-TIL-34-BSS	34"	\$999.00
DUFR-TF-TIL-36-BSS	36"	\$1,037.00
DUFR-TF-TIL-40-BSS	40"	\$1,058.00
DUFR-TF-TIL-42-BSS	42"	\$1,098.00
DUFR-TF-TIL-44-BSS	44"	\$1,118.00
DUFR-TF-TIL-48-BSS	48"	\$1,168.00
DUFR-TF-TIL-54-BSS	54"	\$1,246.00
DUFR-TF-TIL-60-BSS	60"	\$1,346.00
DUFR-TF-TIL-66-BSS	66"	\$1,442.00
DUFR-TF-TIL-72-BSS	72"	\$1,515.00

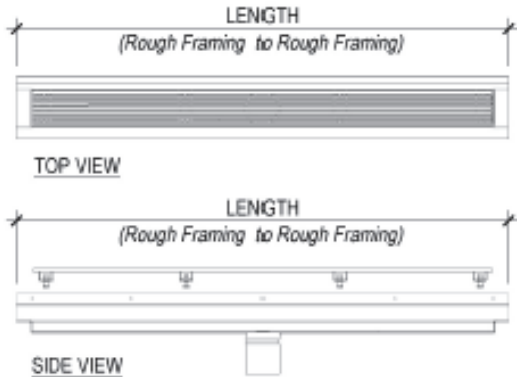
*\*Limited stock and custom order items; please contact for availability and lead times\**  
*Prices quoted in this pricing list are subject to change without notice*

## DUFR-TN SERIES: PRICING LIST

### SQUARE' - PERFORATED GRATE



DUFR-TN-SPG



- ~ The pricing list below excludes installation, delivery, and any federal, state, or local tax. Such charges may apply at the time of a sale.
- ~ Drains are available in AISI316L stainless steel and are priced at an additional 20% of the MSRP.
- ~ Custom or Modified items are priced at an additional 20% of the MSRP.
- \*\* *These grate styles are limited or non-stock items and are subject to market conditions; Contact your local sales rep for inventory availability and current lead times.*

### DUFR-TN-SPG: POLISHED STAINLESS STEEL

Model:	Length:	MSRP:
DUFR-TN-SPG-30-PSS	30"	\$1,019.00
DUFR-TN-SPG-32-PSS	32"	\$1,047.00
DUFR-TN-SPG-34-PSS	34"	\$1,078.00
DUFR-TN-SPG-36-PSS	36"	\$1,106.00
DUFR-TN-SPG-40-PSS	40"	\$1,169.00
DUFR-TN-SPG-42-PSS	42"	\$1,205.00
DUFR-TN-SPG-44-PSS	44"	\$1,236.00
DUFR-TN-SPG-48-PSS	48"	\$1,297.00
DUFR-TN-SPG-54-PSS	54"	\$1,391.00
DUFR-TN-SPG-60-PSS	60"	\$1,507.00
DUFR-TN-SPG-66-PSS	66"	\$1,618.00
DUFR-TN-SPG-72-PSS	72"	\$1,705.00

### \*\*DUFR-TN-SPG: BLACK POWDER COATED

Model:	Length:	MSRP:
DUFR-TN-SPG-30-BP	30"	\$1,002.00
DUFR-TN-SPG-32-BP	32"	\$1,029.00
DUFR-TN-SPG-34-BP	34"	\$1,085.00
DUFR-TN-SPG-36-BP	36"	\$1,089.00
DUFR-TN-SPG-40-BP	40"	\$1,146.00
DUFR-TN-SPG-42-BP	42"	\$1,183.00
DUFR-TN-SPG-44-BP	44"	\$1,212.00
DUFR-TN-SPG-48-BP	48"	\$1,272.00
DUFR-TN-SPG-54-BP	54"	\$1,361.00
DUFR-TN-SPG-60-BP	60"	\$1,434.00
DUFR-TN-SPG-66-BP	66"	\$1,579.00
DUFR-TN-SPG-72-BP	72"	\$1,662.00



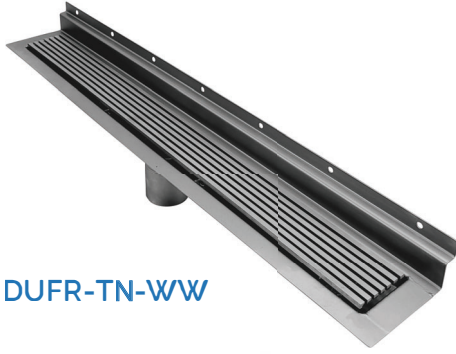
### DUFR-TN-SPG: BRUSHED STAINLESS STEEL

Model:	Length:	MSRP:
DUFR-TN-SPG-30-BSS	30"	\$943.00
DUFR-TN-SPG-32-BSS	32"	\$972.00
DUFR-TN-SPG-34-BSS	34"	\$1,005.00
DUFR-TN-SPG-36-BSS	36"	\$1,034.00
DUFR-TN-SPG-40-BSS	40"	\$1,091.00
DUFR-TN-SPG-42-BSS	42"	\$1,124.00
DUFR-TN-SPG-42-BSS	44"	\$1,153.00
DUFR-TN-SPG-48-BSS	48"	\$1,210.00
DUFR-TN-SPG-54-BSS	54"	\$1,295.00
DUFR-TN-SPG-60-BSS	60"	\$1,403.00
DUFR-TN-SPG-66-BSS	66"	\$1,505.00
DUFR-TN-SPG-72-BSS	72"	\$1,586.00

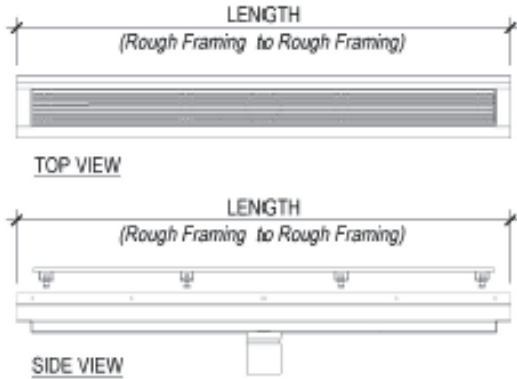
*\*Limited stock and custom order items; please contact for availability and lead times\**  
*Prices quoted in this pricing list are subject to change without notice*

## DUFR-TN SERIES: PRICING LIST

### WEDGEWIRE' - STYLE GRATE



### DUFR-TN-WW



- ~ The pricing list below excludes installation, delivery, and any federal, state, or local tax. Such charges may apply at the time of a sale.
- ~ Drains are available in AISI316L stainless steel and are priced at an additional 20% of the MSRP.
- ~ Custom or Modified items are priced at an additional 20% of the MSRP.
- \*\* *These grate styles are limited or non-stock items and are subject to market conditions; Contact your local sales rep for inventory availability and current lead times.*

### DUFR-TN-WW: POLISHED STAINLESS STEEL

Model:	Length:	MSRP:
DUFR-TN-WW-30-PSS	30"	\$1,123.00
DUFR-TN-WW-32-PSS	32"	\$1,151.00
DUFR-TN-WW-34-PSS	34"	\$1,186.00
DUFR-TN-WW-36-PSS	36"	\$1,214.00
DUFR-TN-WW-40-PSS	40"	\$1,275.00
DUFR-TN-WW-42-PSS	42"	\$1,311.00
DUFR-TN-WW-44-PSS	44"	\$1,362.00
DUFR-TN-WW-48-PSS	48"	\$1,432.00
DUFR-TN-WW-54-PSS	54"	\$1,513.00
DUFR-TN-WW-60-PSS	60"	\$1,607.00
DUFR-TN-WW-66-PSS	66"	\$1,763.00
DUFR-TN-WW-72-PSS	72"	\$1,847.00

### \*\*DUFR-TN-WW: BLACK POWDER COATED

Model:	Length:	MSRP:
DUFR-TN-WW-30-BP	30"	\$1,053.00
DUFR-TN-WW-32-BP	32"	\$1,078.00
DUFR-TN-WW-34-BP	34"	\$1,109.00
DUFR-TN-WW-36-BP	36"	\$1,133.00
DUFR-TN-WW-40-BP	40"	\$1,186.00
DUFR-TN-WW-42-BP	42"	\$1,218.00
DUFR-TN-WW-44-BP	44"	\$1,268.00
DUFR-TN-WW-48-BP	48"	\$1,323.00
DUFR-TN-WW-54-BP	54"	\$1,400.00
DUFR-TN-WW-60-BP	60"	\$1,484.00
DUFR-TN-WW-66-BP	66"	\$1,576.00
DUFR-TN-WW-72-BP	72"	\$1,661.00



### DUFR-TF-WW: BRUSHED STAINLESS STEEL

Model:	Length:	MSRP:
DUFR-TN-WW-30-BSS	30"	\$1,025.00
DUFR-TN-WW-32-BSS	32"	\$1,050.00
DUFR-TN-WW-34-BSS	34"	\$1,080.00
DUFR-TN-WW-36-BSS	36"	\$1,105.00
DUFR-TN-WW-40-BSS	40"	\$1,157.00
DUFR-TN-WW-42-BSS	42"	\$1,188.00
DUFR-TN-WW-42-BSS	44"	\$1,237.00
DUFR-TN-WW-48-BSS	48"	\$1,291.00
DUFR-TN-WW-54-BSS	54"	\$1,367.00
DUFR-TN-WW-60-BSS	60"	\$1,451.00
DUFR-TN-WW-66-BSS	66"	\$1,598.00
DUFR-TN-WW-72-BSS	72"	\$1,687.00

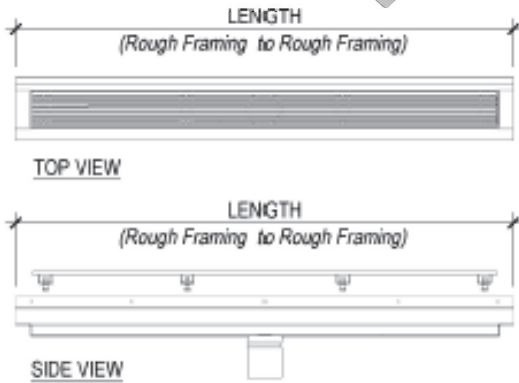
*\*Limited stock and custom order items; please contact for availability and lead times\**  
*Prices quoted in this pricing list are subject to change without notice*

## DUFR-TN SERIES: PRICING LIST

### TILE-IN' - TRAY GRATE



### DUFR-TN-TIL



- ~ The pricing list below excludes installation, delivery, and any federal, state, or local tax. Such charges may apply at the time of a sale.
- ~ Drains are available in AISI316L stainless steel and are priced at an additional 20% of the MSRP.
- ~ Custom or Modified items are priced at an additional 20% of the MSRP.

### DUFR-TN-TIL: BRUSHED STAINLESS STEEL

Model:	Length:	MSRP:
DUFR-TN-TIL-30-BSS	30"	\$867.00
DUFR-TN-TIL-32-BSS	32"	\$888.00
DUFR-TN-TIL-34-BSS	34"	\$930.00
DUFR-TN-TIL-36-BSS	36"	\$968.00
DUFR-TN-TIL-40-BSS	40"	\$989.00
DUFR-TN-TIL-42-BSS	42"	\$1,029.00
DUFR-TN-TIL-44-BSS	44"	\$1,049.00
DUFR-TN-TIL-48-BSS	48"	\$1,099.00
DUFR-TN-TIL-54-BSS	54"	\$1,177.00
DUFR-TN-TIL-60-BSS	60"	\$1,277.00
DUFR-TN-TIL-66-BSS	66"	\$1,373.00
DUFR-TN-TIL-72-BSS	72"	\$1,446.00

*\*Limited stock and custom order items; please contact for availability and lead times\**  
*Prices quoted in this pricing list are subject to change without notice*

# DUFT SERIES - MODEL SELECTION



DUFT-T9 (Triangle)



DUFT-S6 - (Square)

## CORNER DRAIN

DUFT Series corner drains are a two-piece low profile floor drain system. Specifically designed for Neo-Angle showers that seamlessly blends into its surrounding for an easy installation and bonded waterproofing membrane. DUFT corner drain is designed to accommodate large, small format tiles or stone installations in a shower with a single plane slope to the drain. The DUFT corner drain is designed for commercial or residential projects and is intended for interior applications.

## ADVANTAGES

- Single slope to drain.
- Allows for the use of any size tile format tile.
- Tile in grate available to match floor tile.
- Made from heavy duty 304 stainless steel with a passivated rust-proof finish for life time of performance and protection

## SUITABLE SUBSTRATES

- Concrete
- Exterior Glue Plywood (Interior Only)
- Cement Backer Board
- Cement Mortar Bed

Model DUFT-\_\_\_\_-TIL-BSS      eg.(DUFT-T9-TIL-BSS)

MODEL:	GRATE STYLE:	FINISH:
<input type="checkbox"/> DUFT-T9	<input type="checkbox"/> TIL - Pietra Style (Tile in Tray)	<input type="checkbox"/>  BSS- Brushed Stainless Steel
<input type="checkbox"/> DUFT-S6		

*Data Sheets are subject to change without notice.  
For latest revision please contact Drains Unlimited, Inc.*

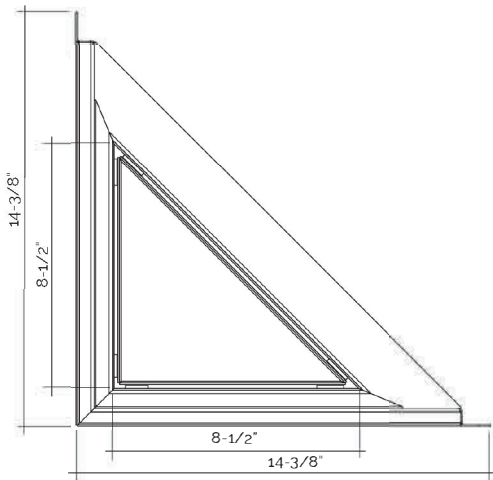
# DUFT SERIES PRICING LIST



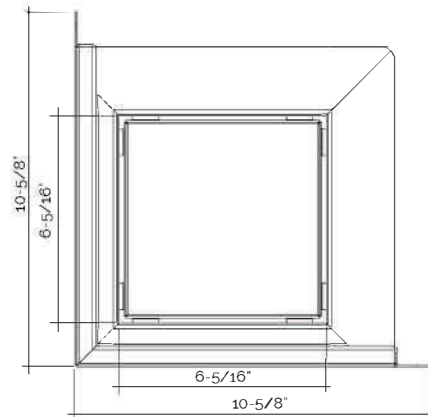
DUFT-T9 (Triangle)



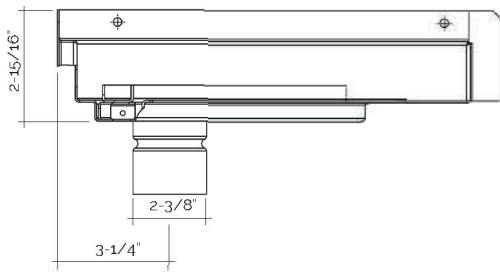
DUFT-S6 - (Square)



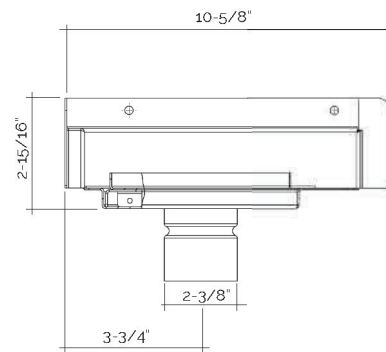
TOP VIEW



TOP VIEW



SIDE VIEW



SIDE VIEW

## DUFT-T9 : TRIANGLE CORNER DRAIN

MODEL:	GRATE SIZE:	MSRP:
DUFT-T9-TIL-BSS	8.5"x8.5x12"	\$285.00

## DUFT-S6 : SQUARE CORNER DRAIN

MODEL:	GRATE SIZE:	MSRP:
DUFT-S6-TIL-BSS	6.3"x6.3"	\$285.00

*\*Limited stock and custom order items; please contact for availability and lead times\**  
*Prices quoted in this pricing list are subject to change without notice*

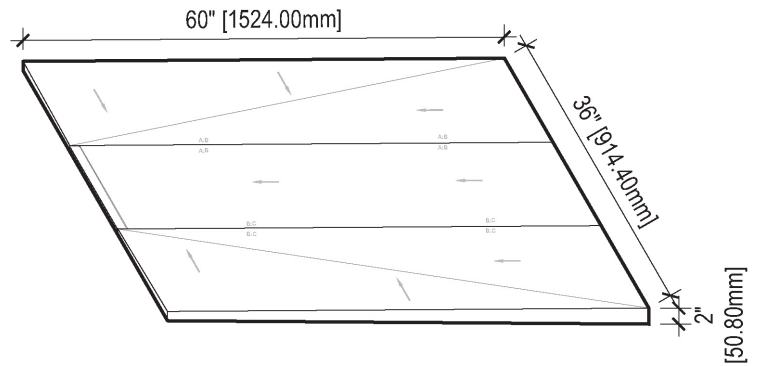
# PNMD1 SERIES PRE-SLOPED FOAM SHOWER BASE: MODEL SELECTION



PNMD1- SHOWER BASE

## PRE-SLOPED SHOWER BASE

PNMD1 pre-sloped shower base is a 3'-0" by 5'-0" three-way slope tray design that accommodates the 12" DUW Series Wall Recessed linear drain.



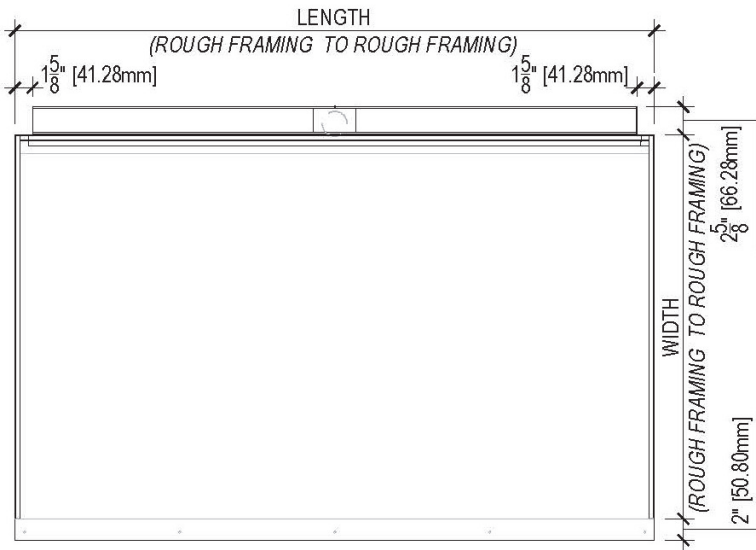
12" DUW Series Wall Drain

MODEL:	MSRP:
<input type="checkbox"/> <b>PNMD1-3660</b> (Tray Only)	<b>\$750.00</b>
<input type="checkbox"/> <b>PNMD1-3660-DUW-T12</b> Floor Tile (1/8" - 3/8" thk) Ready Drain & Tray Kit	<b>\$1,265.00</b>
<input type="checkbox"/> <b>PNMD1-3660-DUW-S12</b> (Floor Slab (1/2" - 3/4" thk) Ready Drain & Tray Kit)	<b>\$1,265.00</b>

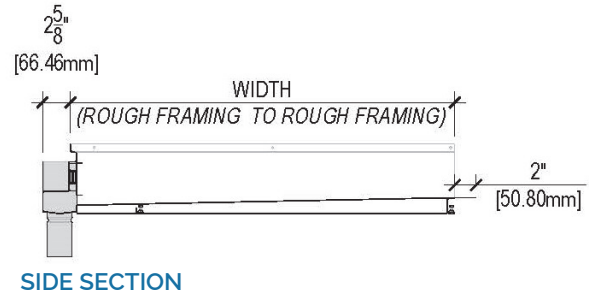
PATENTED DESIGN  
US Patent Number 29/00.710  
Canada Patent 189249.

Data Sheets are subject to change without notice.  
For latest revision please contact Drains Unlimited, Inc.

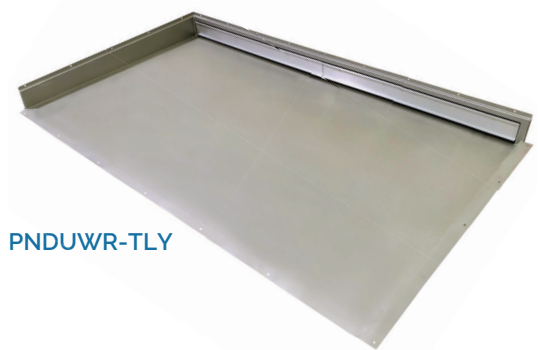
# PNDUW SERIES PRE-SLOPED STAINLESS STEEL CURBLESS SHOWER PAN & INTERGRATED DRAIN: MODEL SELECTION



PLAN VIEW - 'TRY'



SIDE SECTION



PNDUWR-TLY

## "Y"- CURBLESS ADA ENTRY

Model PNDUWR-\_\_-\_\_X\_\_-BSS\_\_\_\_\_eg.(DUWR-TFY-60\"X36\"-BSS)

### MODEL:

- PNDUWR-TFY:**  
(Tile Ready - Three Side Return Flange) *ideal for wall to wall installation with 1/8" to 3/8" thick floor tile\**
- PNDUWR-SFY:**  
(Slab Ready - Three Side Return Flange) *ideal for wall to wall installation with 1/2" to 3/4" thick floor Slab\**
- PNDUWR-TNY:**  
(Tile Ready - Backwall Return Flange Only) *ideal for curbed or curbless installation with 1/8" to 3/8" thick floor tile\**
- PNDUWR-SNY:**  
(Slab Ready - Backwall Return Flange Only) *ideal for curbed or curbless installation with 1/2" to 3/4" thick floor Slab.*
- PNDUWR-TRY:**  
(Tile Ready - Right side & Backwall Return Flange) *ideal for wall to wall installation with 1/8" to 3/8" thick floor tile\**
- PNDUWR-SRY:**  
(Slab Ready - Right side & Backwall Return Flange) *ideal for wall to wall installation with 1/2" to 3/4" thick floor Slab\**
- PNDUWR-TLY:**  
(Tile Ready - Left side & Backwall Return Flange) *ideal for wall to wall installation with 1/8" to 3/8" thick floor tile\**
- PNDUWR-SLY:**  
(Slab Ready - Left side & Backwall Return Flange) *ideal for wall to wall installation with 1/2" to 3/4" thick floor Slab\**

### LENGTH X WIDTH

\_\_\_\_'x\_\_\_\_'

### FINISH

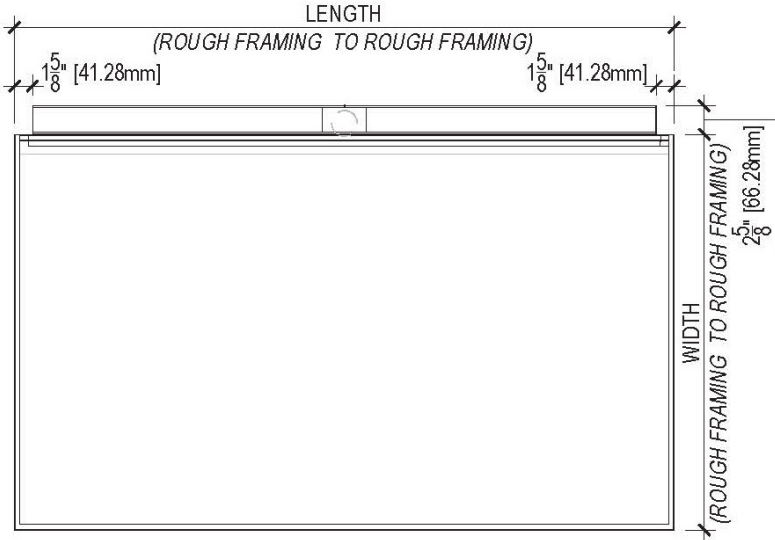
**BSS**- Brushed Stainless Steel

### \* CUSTOM OPTIONS

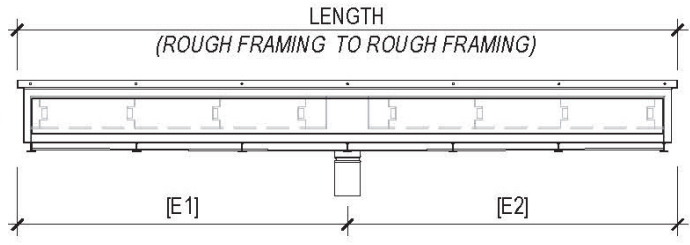
- \*SOR\_\_** - Single (R)ight Offset Outlet from outside edge of the channel.
- \*SOL\_\_** - Single (L)eft Offset Outlet from outside edge of the channel.
- \*DOR\_\_L\_\_** - Dual Offset Offset Out let from (R)ight edge and (L)eft edge of the channel.
- \*316** - AISI316L Stainless Steel



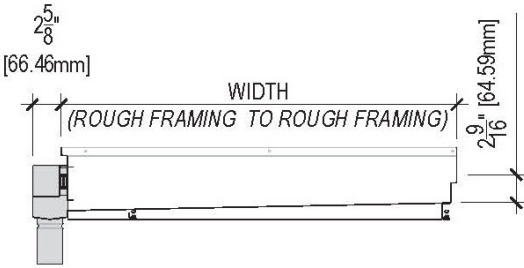
# PNDUWR SERIES PRE-SLOPED STAINLESS STEEL CURBED SHOWER PAN & INTERGRATED DRAIN: MODEL SELECTION



PLAN VIEW - 'TRZ'



FRONT SECTION - 'TFZ'



SIDE SECTION

'Z'- CURBED ENTRY

Model PNDUWR-\_\_-\_\_X\_\_-BSS' \_\_\_\_\_ eg.(DUWR-TFY-60"X36"-BSS)

**MODEL:** **LENGTH X WIDTH**

- PNDUWR-TFZ:**  
(Tile Ready -Three Side Return Flange) *'Ideal for wall to wall installation with 1/8" to 3/8" thick floor tile'*
- PNDUWR-SFZ:**  
(Slab Ready - Three Side Return Flange) *'Ideal for wall to wall installation with 1/2" to 3/4" thick floor Slab'*
- PNDUWR-TNZ:**  
(Tile Ready - Backwall Return Flange Only) *'Ideal for curbed or curbless installation with 1/8" to 3/8" thick floor tile'*
- PNDUWR-SNZ:**  
(Slab Ready - Backwall Return Flange Only) *'Ideal for curbed or curbless installation with 1/2" to 3/4" thick floor Slab.'*
- PNDUWR-TRZ:**  
(Tile Ready - Right side & Backwall Return Flange) *'Ideal for wall to wall installation with 1/8" to 3/8" thick floor tile'*
- PNDUWR-SRZ:**  
(Slab Ready - Right side & Backwall Return Flange) *'Ideal for wall to wall installation with 1/2" to 3/4" thick floor Slab'*
- PNDUWR-TLZ:**  
(Tile Ready - Left side & Backwall Return Flange) *'Ideal for wall to wall installation with 1/8" to 3/8" thick floor tile'*
- PNDUWR-SLZ:**  
(Slab Ready - Left side & Backwall Return Flange) *'Ideal for wall to wall installation with 1/2" to 3/4" thick floor Slab'*

\_\_\_\_"X \_\_\_\_"

**FINISH**

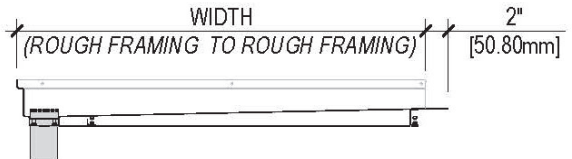
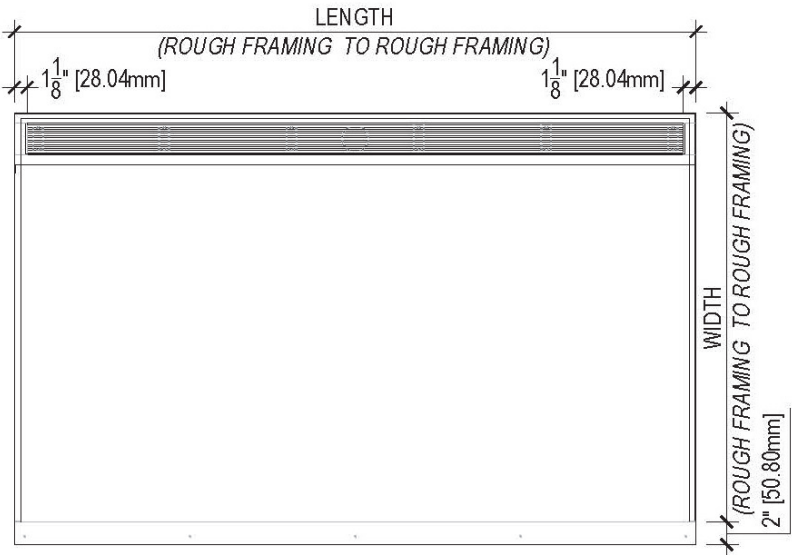
- BSS-** Brushed Stainless Steel

**\* CUSTOM OPTIONS**

- \*SOR\_\_** -Single (R)ight Offset Outlet from outside edge of the channel.
- \*SOL\_\_** - Single (L)eft Offset Outlet from outside edge of the channel.
- \*DOR\_\_L\_\_** - Dual Offset Offset Outlet from (R)ight edge and (L)eft edge of the channel.
- \*316** - AISI316L Stainless Steel

Data Sheets are subject to change without notice.  
For latest revision please contact Drains Unlimited, Inc.

# PNDUFR SERIES PRE-SLOPED STAINLESS STEEL L CURBLESS SHOWER PAN & INTERGRATED DRAIN: MODEL SELECTION



SIDE SECTION

PLAN VIEW - 'TRY'

**"Y"- CURBLESS ADA ENTRY**

Model PNDUFR-\_\_\_-\_\_\_-\_\_\_X\_\_\_-BSS'\_\_\_\_\_ eg.(PNDUFR-TFY-WW-6o"X36"-BSS)

**\* CUSTOM OPTIONS**

- \*SOR\_\_\_ - Single (R)ight Offset Outlet from outside edge of the channel.
- \*SOL\_\_\_ - Single (L)eft Offset Outlet from outside edge of the channel.
- \*DOR\_\_\_L\_\_\_ - Dual Offset Offset Out let from (R)ight edge and (L)eft edge of the channel.
- \*316 - AISI316L Stainless Steel

**MODEL:**

- PNDUFR-TFY:**  
(Tile Ready - Three Side Return Flange) *'Ideal for wall to wall installation with 1/8" to 3/8" thick wall tile'*
- PNDUFR-SFY:**  
(Slab Ready - Three Side Return Flange) *'Ideal for wall to wall installation with 1/2" to 3/4" thick wall Slab'*
- PNDUFR-TNY:**  
(Tile Ready - Backwall Return Flange Only) *'Ideal for curbed or curbless installation with 1/8" to 3/8" thick wall tile'*
- PNDUFR-SNY:**  
(Slab Ready - Backwall Return Flange Only) *'Ideal for curbed or curbless installation with 1/2" to 3/4" thick wall Slab.'*

- PNDUFR-TRY:**  
(Tile Ready - Right side & Backwall Return Flange) *'Ideal for wall to wall installation with 1/8" to 3/8" thick wall tile'*
- PNDUFR-SRY:**  
(Slab Ready - Right side & Backwall Return Flange) *'Ideal for wall to wall installation with 1/2" to 3/4" thick wall Slab'*
- PNDUFR-TLY:**  
(Tile Ready - Left side & Backwall Return Flange) *'Ideal for wall to wall installation with 1/8" to 3/8" thick wall tile'*
- PNDUFR-SLY:**  
(Slab Ready - Left side & Backwall Return Flange) *'Ideal for wall to wall installation with 1/2" to 3/4" thick wall Slab'*

**GRATE STYLE:**

- SPG** - Square Perforated
- TIL** - Pietra Style (Tile in Tray)
- WW** - Wedgewire

**LENGTH X WIDTH**

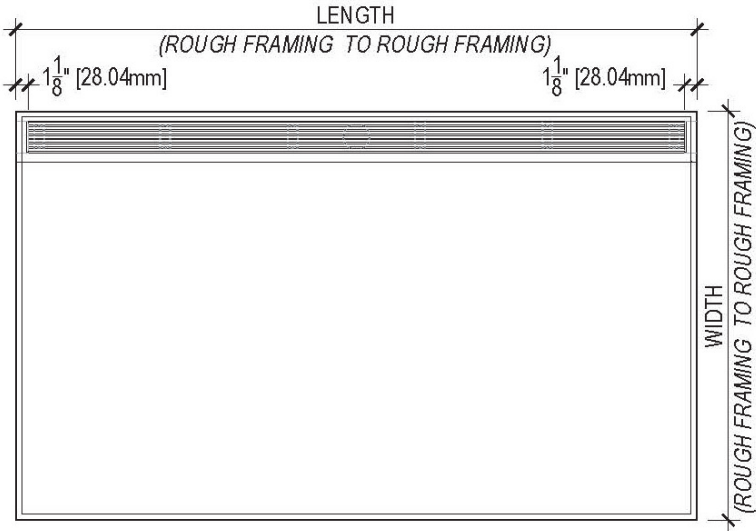
\_\_\_\_\_'x\_\_\_\_\_'

**FINISH**

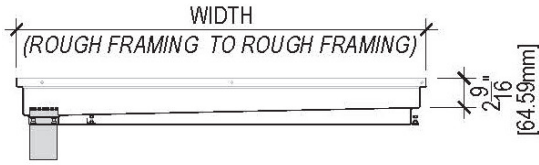
- PSS**- Polished Stainless Steel (All except TIL)
- BSS**- Brushed Stainless Steel (All)
- BP**- Black Powder Coated (SPG & WW Only)

Data Sheets are subject to change without notice. For latest revision please contact Drains Unlimited, Inc.

# PNDUFR SERIES PRE-SLOPED STAINLESS STEEL CURBED SHOWER PAN & INTERGRATED DRAIN: MODEL SELECTION



PLAN VIEW - 'TRZ'



SIDE SECTION

**\* CUSTOM OPTIONS**

- \***SOR**\_\_\_ - Single (R)ight Offset Outlet from outside edge of the channel.
- \***SOL**\_\_\_ - Single (L)eft Offset Outlet from outside edge of the channel.
- \***DOR**\_\_\_**L**\_\_\_ - Dual Offset Offset Outlet from (R)ight edge and (L)eft edge of the channel.
- \***316** - AISI316L Stainless Steel

**'Z'- CURBLED ENTRY**

Model PNDUFR-\_\_\_-\_\_\_-\_\_\_X\_\_\_-BSS\_\_\_\_\_ eg.(PNDUFR-TFZ-WW-60"X36"-BSS)

**MODEL:**

- PNDUFR-TFZ:**  
(Tile Ready -Three Side Return Flange) *Ideal for wall to wall installation with 1/8" to 3/8" thick wall tile\**
- PNDUFR-SFZ:**  
(Slab Ready - Three Side Return Flange) *Ideal for wall to wall installation with 1/2" to 3/4" thick wall Slab\**
- PNDUFR-TNZ:**  
(Tile Ready - Backwall Return Flange Only) *Ideal for curbed or curbless installation with 1/8" to 3/8" thick wall tile\**
- PNDUFR-SNZ:**  
(Slab Ready - Backwall Return Flange Only) *Ideal for curbed or curbless installation with 1/2" to 3/4" thick wall Slab.*
- PNDUFR-TRZ:**  
(Tile Ready - Right side & Backwall Return Flange) *Ideal for wall to wall installation with 1/8" to 3/8" thick wall tile\**
- PNDUFR-SRZ:**  
(Slab Ready - Right side & Backwall Return Flange) *Ideal for wall to wall installation with 1/2" to 3/4" thick wall Slab\**
- PNDUFR-TLZ:**  
(Tile Ready - Left side & Backwall Return Flange) *Ideal for wall to wall installation with 1/8" to 3/8" thick wall tile\**
- PNDUFR-SLZ:**  
(Slab Ready - Left side & Backwall Return Flange) *Ideal for wall to wall installation with 1/2" to 3/4" thick wall Slab\**

**GRATE STYLE:**

- SPG** - Square Perforated
- TIL** - Pietra Style (Tile in Tray)
- WW** - Wedgewire

**LENGTH X WIDTH**

\_\_\_"X\_\_\_"

**FINISH**

- PSS**- Polished Stainless Steel (All except TIL)
- BSS**- Brushed Stainless Steel (All)
- BP**- Black Powder Coated (SPG & WW Only)

Data Sheets are subject to change without notice.  
For latest revision please contact Drains Unlimited, Inc.

# DUXT SERIES - MODEL SELECTION



"WW Wedgewire Grate"



"Pp Perforated Grate"

Model DUXT-\_\_\_\_-\_\_\_\_-\_\_\_\_-\_\_\_\_\*

**MODEL:**

- DUXT-5V:**  
5" wide V-Shape bottom Heavy Duty trench drain w/ vertical no-hub outlet
- DUXT-5H:**  
5" wide V-Shape bottom Heavy Duty trench drain w/ horizontal no-hub outlet

**LENGTH:**

- \_\_\_\_\_"  
Custom Length

**PIPE SIZE:**

- 2:** 2-3/8" O.D. [60.3mm]
- 3:** 3-1/2" O.D. [89.9mm]
- 4:** 4-1/2" O.D. [114.1mm]

**GRATE STYLE:**

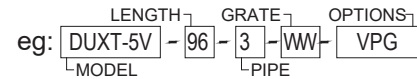
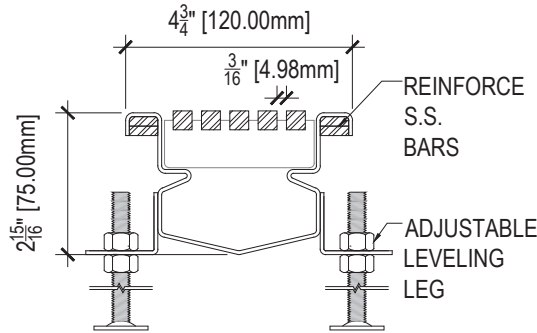
- B** - Perforated Sheet - gGA
- WW** - Wedgewire - 1/2" thick
- P** - Solid plate grate w/ perimeter slots - 1/2" thick.
- Pp** - Perforated plate grate - 1/2" thick

**EXTERIOR TRENCH DRAIN**

DUXT Series exterior trench drain provides a timeless, durable aesthetic appeal that will last a lifetime. The channel body and high heel-rated grating are constructed of industrial-grade stainless steel with a rust-resistant passivated coating.

**APPLICATION:**

- Building Entry
- Garage
- Pools
- Patios
- Sauna's & Spa
- Commercial Kitchen



**\* CUSTOM OPTION:**

- \*SOR\_\_\_\_\_** - Single (R)ight Offset Out let from outside edge of the channel.
- \*SOL\_\_\_\_\_** - Single (L)eft Offset Out let from outside edge of the channel.
- \*DOR\_\_\_\_\_L\_\_\_\_\_** - Dual Offset Offset Out let from (R)ight edge and (L)eft edge of the channel.
- \*VPG** - Locking Screwed in Grating
- \*FB** - Filter Cleanout Basket
- \*EXB8** - 8"x8" Extended Cleanout Box
- \*EXB12** - 12"x12" Extended Cleanout Box
- \*316** - AISI 316L Stainless Steel

Data Sheets are subject to change without notice. For latest revision please contact Drains Unlimited, Inc.

# DUXS SERIES - MODEL SELECTION

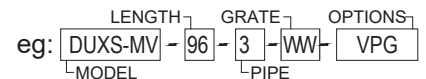
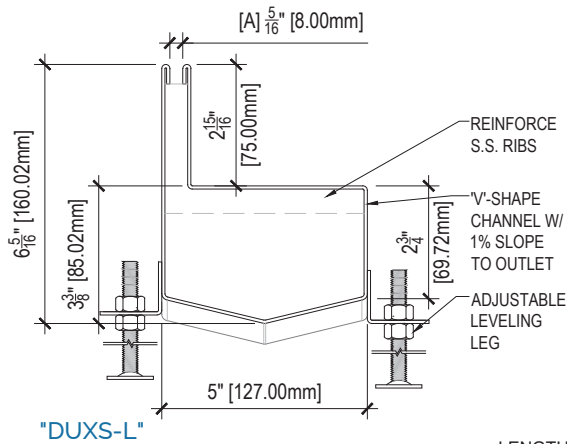
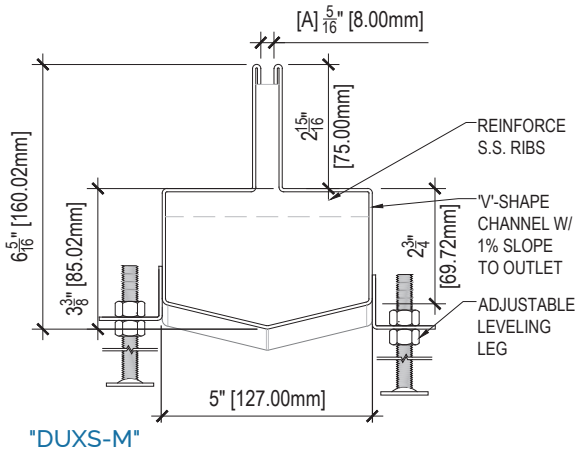


## EXTERIOR SLOT DRAIN

DUXS Series exterior slot drain provides a timeless, durable aesthetic appeal that will last a lifetime. The channel body and high heel-rated grating are constructed of industrial-grade stainless steel with a rust-resistant passivated coating.

### APPLICATION:

- Building Entry
- Garage
- Pools
- Patios
- Saunas & Spas
- Commercial Kitchen



Model DUXT- \_\_\_\_\_

MODEL:	LENGTH:	PIPE SIZE:	EXTENDED BOX GRATE STYLE:
<input type="checkbox"/> <b>DUXS-MV:</b> 3/16" wide Center Slot V-Shape bottom Channel w/ vertical no-hub outlet	<input type="checkbox"/> _____" Custom Length	<input type="checkbox"/> 2: 2-3/8" O.D. [60.3mm] <input type="checkbox"/> 3: 3-1/2" O.D. [89.9mm] <input type="checkbox"/> 4: 4-1/2" O.D. [114.1mm]	<input type="checkbox"/> <b>B-</b> Perforated Sheet grate <input type="checkbox"/> <b>P-</b> Solid plate grate w/ perimeter slots - 1/2" thick. <input type="checkbox"/> <b>Pp-</b> Perforated plate grate w/ perimeter slots - 1/2" thick.
<input type="checkbox"/> <b>DUXS-MH:</b> 3/16" wide Center Slot V-Shape bottom Channel w/ horizontal no-hub outlet			
<input type="checkbox"/> <b>DUXS-LV:</b> 3/16" wide End Slot V-Shape bottom Channel w/ vertical no-hub outlet			
<input type="checkbox"/> <b>DUXS-LH:</b> 3/16" wide End Slot V-Shape bottom Channel w/ horizontal no-hub outlet			
<b>* CUSTOM OPTION:</b>			
	<input type="checkbox"/> <b>*SOR__</b> - Single (R)ight Offset Out let from outside edge of the channel.	<input type="checkbox"/> <b>*VPG</b> - Locking Screwed in Grating	
	<input type="checkbox"/> <b>*SOL__</b> - Single (L)eft Offset Out let from outside edge of the channel.	<input type="checkbox"/> <b>*FB</b> - Filter Cleanout Basket	
	<input type="checkbox"/> <b>*DOR__L__</b> - Dual Offset Outlet from (R)ight edge and (L)eft edge of the channel.	<input type="checkbox"/> <b>*EXB8</b> - 8"x8" Extended Cleanout Box	
		<input type="checkbox"/> <b>*EXB12</b> - 12"x12" Extended Cleanout Box	
		<input type="checkbox"/> <b>*316</b> - AISI316L Stainless Steel	

Data Sheets are subject to change without notice.  
For latest revision please contact Drains Unlimited, Inc.







**Drains Unlimited, Inc**  
110 Post Road, Darien, CT 06820

1 (833) 837-2467  
[sales@drains-unlimited.com](mailto:sales@drains-unlimited.com)  
[www.drains-unlimited.com](http://www.drains-unlimited.com)